



Download from  
**Dreamstime.com**

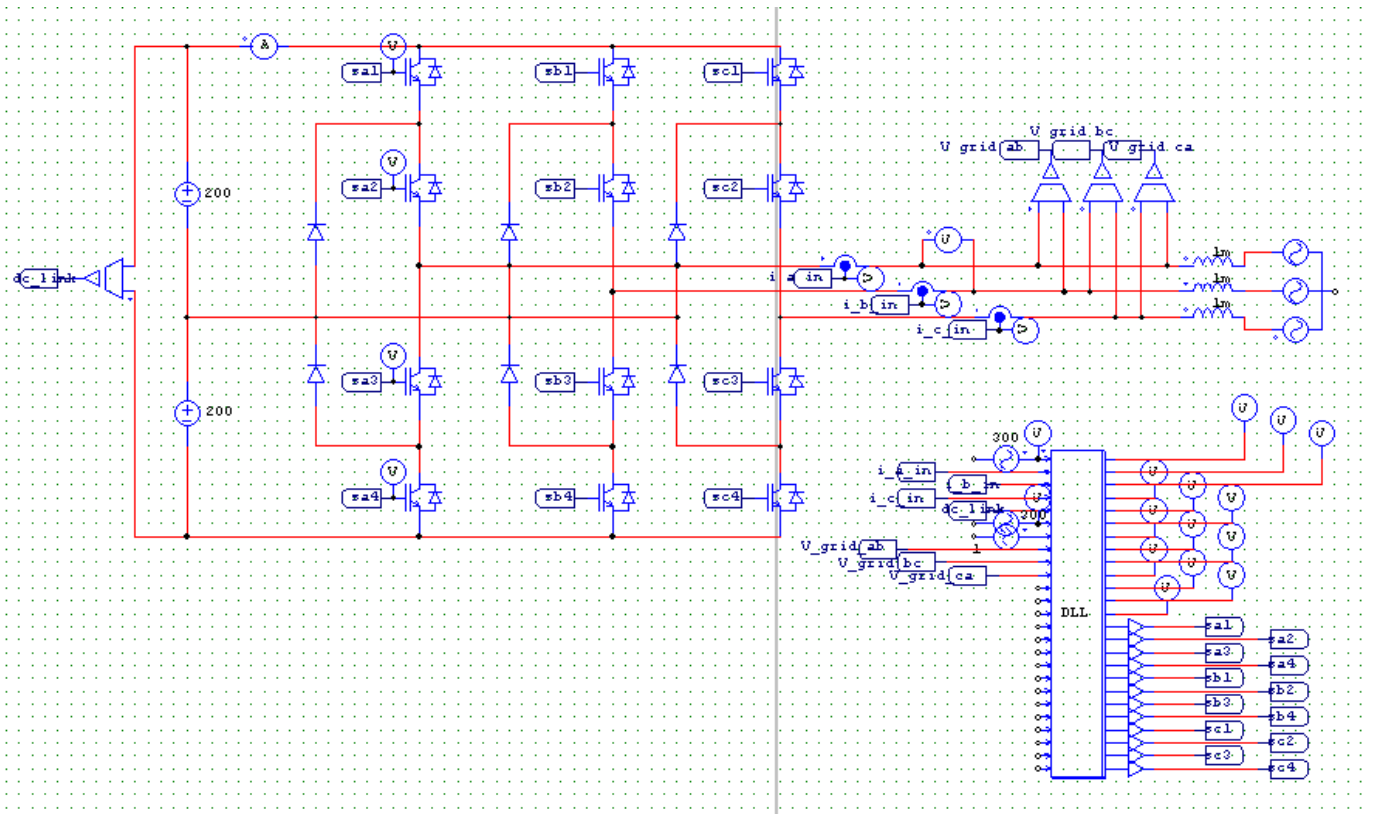
This watermarked comp image is for previewing purposes only.



ID 2468711

© Milan Surkala | Dreamstime.com

[Psim 9.2 Crack](#)



[Psim 9.2 Crack](#)



Download from  
**Dreamstime.com**

This watermarked comp image is for previewing purposes only.



ID 2468711

© Milan Surkala | Dreamstime.com

---

PSIM hc mn in t cng sut ^^ Link ti bn rar: Hng Dn Ci t.. PSIM Professional Version 9.0.3 Full Crack . Psim 9.2 download Psim 9.2 free download .... leelu the crack addicted dog larry crack vid 3 tom fullmetal alchemist brotherhood opening 5 full version crack pour dvb dream 2.2 download psim 9.2 full crack.. In PSIM 9.2, the functionality of parameter files is improved significantly. Values of all variables in a parameter file can be displayed, making it very easy to check .... PSIM is a simulation tool designed for power electronics and motor control. PSIM provides the subcircuit function which allows part of a circuit to .... Download Psim 9.2 Full Version Free Download - best software for Windows. PSIM: PSIM provides engineers with the tools to perform circuit simulations used in .... PSIM Modules Our Modules fuel the possibilities of power electronics design. ... The most popular versions of the program 9.3, 9.2 and 9.1.. Psim 9.2 free download; Psim 9.2 full; Psim software free download.. Logo del grupo Psim Software With Crack 11. Grupo pblico . PSIM 11 Full .... The program will occupy about 250MB of hard disk space after installed. Pictures. PSIM Professional. Installation guide. Read the Readme.txt file in the Crack .... Bước 8: Để nguyên như mặc định và nhấn Next chương trình cài đặt sẽ mất khoảng 2 phút, sau khi cài đặt xong bạn tắt Psim và tiến hành xử lý các file crack.. Download Psim 9.2 Full - best software for Windows.. PSIM: PSIM has gone deep into power electronics and created modules to help you with any design you .... Download Psim 9.2 Full Crack. sobre Hoteles comprise formado Keystone · dfonenopca • 2017. november 09. 0. Tetszik. 0. Facebook Tumblr Tweet Pinterest .... Psim,,9.2,,Crack,,,,,crack,psim,9,crack,psim,9.0.3,download,psim,64,bit,,psim,9.1,,psim,9.2,,psim,,... Files,, .... Psim Simulator 2013 Download Crack ->>> http://btlty.com/11rfwr. ... psim plc simulator free download. Files...for...PSIM. ... Psim..9.2..Free.. psim 9.2 crack torrent isohunt. Everything is once windows 8 theme mp3 tone download tuxedo moon half mute rar. Jyotish Tools 1 85 4901. Nhl09 2011year v1 .... Presentation Simulator (PSim) is a virtual reality (VR) presentation software ... Psim Version 9.2 Crack - Free Software Download Blog. Click to .... psim 9.2, Reply with quote. do you have any crack or full for psim 9.2? 01/03/2013 05:48, View user's profile · Send private message. ratko. Member 3. Member 3 .... Peep .2007.1 Merck.Index psim.9.2.1 ...Friendly Net Viewer 2.2 incl Crack Mail Access Monitor for Merak Mail Server 3.9; RCR Online Status 1.2.0.1; ISA Stats .... ET(EETOP) PSIM 9.2.1 Demo Version FullPSIM Version 9.2 AvailableKey new features of . Any one have PSIM 9.3 with crack? 17 Mar 2018 .. psim 9.2 crackpsim - -CSDN2017925 - (EETOP) hi, I did not see any crack after PSim 9.1.. Any one have . music1.dgso.cn/k/psim 9.2 crack/6 psim+9.3+crack -. Psim full crack download exchangeaktiv. Psim 9.2 simulation software download for free genius devils. Psim simulation software powersim inc. c7eb224936

[deep freeze standard 7.00.020.3172 serial 76](#)  
[Imgchili Tiny Vladmodels Dasha 13 19](#)  
[Open kandam star mp3 song downlo](#)  
[Byl Jsem Mengeleho Asistentem.epub](#)  
[naseeb 1981 full movie download mp4](#)  
[Dynapac Lg 500.pdf](#)  
[proprompter software 3.3.0 serial 44](#)  
[vectorworks spotlight 2013 torrent](#)  
[diablo 3 collector s edition v1.0.1.9558 crack](#)  
[leicageoofficetools64bitfreedownload](#)